

5

4

3

2

1

D

D

C

C

B

B

A

A

C-SKY HANGZHOU C-SKY MICROSYSTEM CO.,LTD.

Size	Drawing Title EMG0AR1C	Rev
A3	Page Title 01 BlockDiagram	C
Date: Wednesday, April 26, 2017		Sheet 1 of 6

5

4

3

2

1

D

D

EMG0AR1C

C

C

B

B

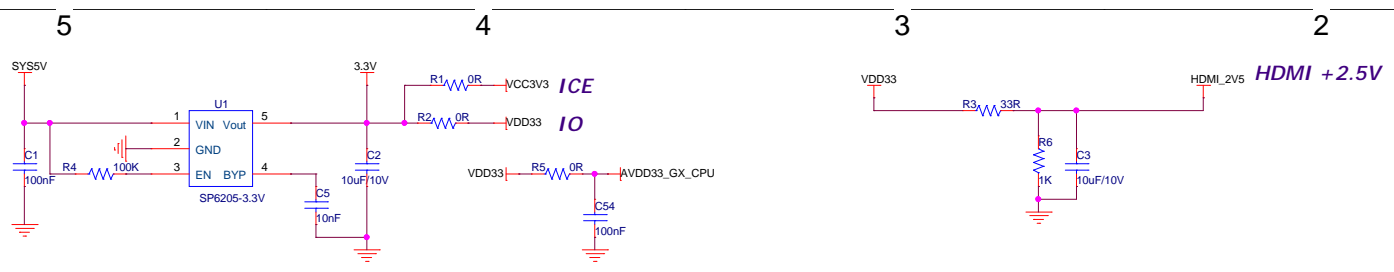
A

A

VER/REV #	DESCRIPTION	PREPARED BY	RELEASE DATE	APPROVED BY
C	First Official Release. Dual Hot-Plug Protection User LEDs and Keys	Quintus.J	2017/04/12	C-SKY

C-SKY HANGZHOU C-SKY MICROSYSTEM CO.,LTD.		
Size	Drawing Title	Rev
A3	EMG0AR1C	C
	Page Title	
	02 Revision History	
Date:	Sheet	of
Wednesday, April 26, 2017	2	6

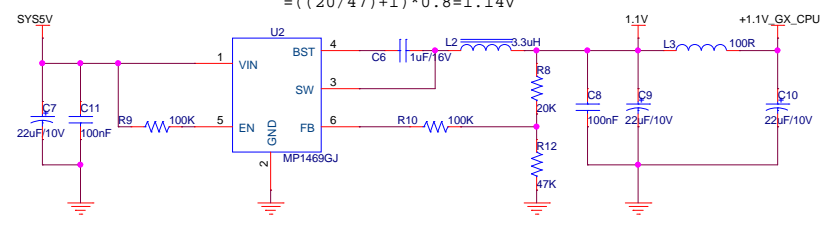
Power Supply



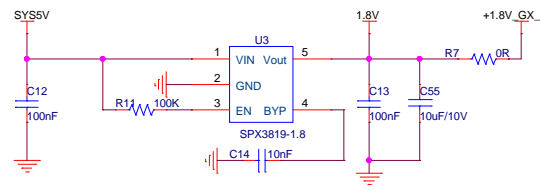
$$V_{out} = ((R6/R9)+1) * 0.8$$

$$= ((20/47)+1) * 0.8 = 1.14V$$

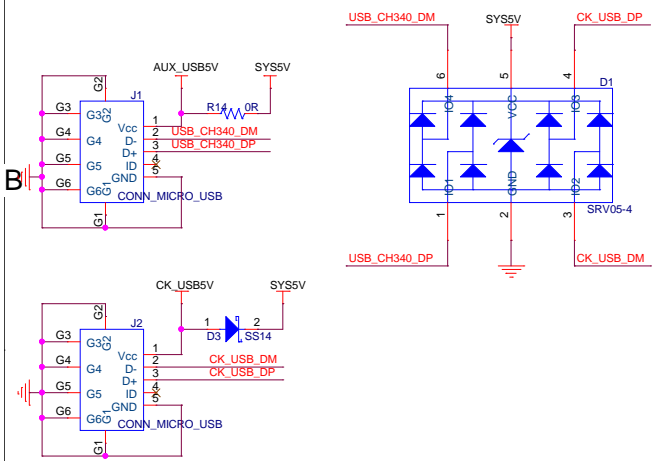
GX6605 CPU Core



GX6605 Internal DDR2

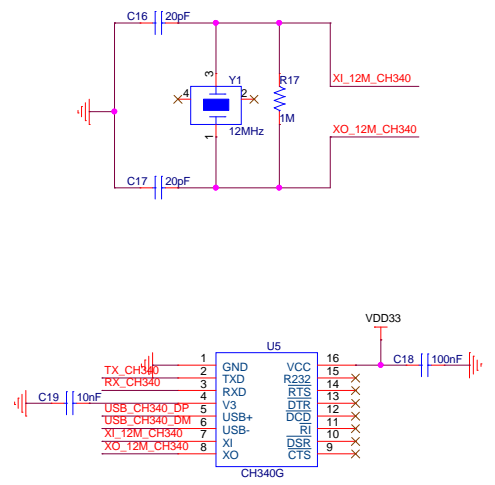


**USB ICE
USB AUX POWER**



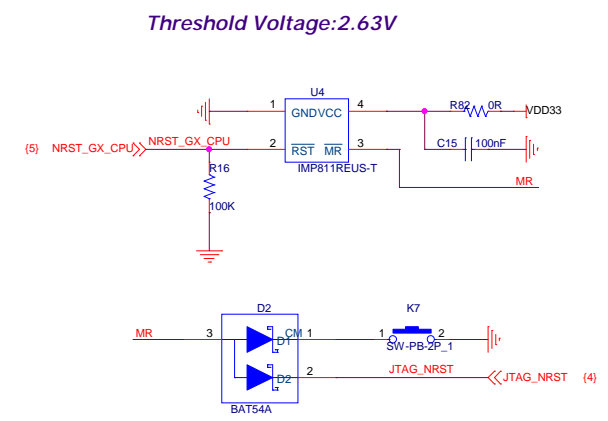
(4) CK_USB_DM >> CK_USB_DM
(4) CK_USB_DP >> CK_USB_DP

USB to TTL



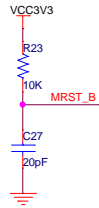
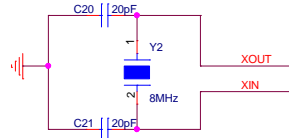
TX_CH340 >> RXD_GX_CPU (5)
RX_CH340 >> TXD_GX_CPU (5)

Reset



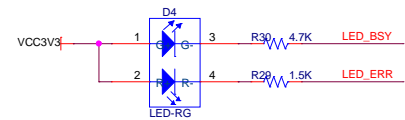
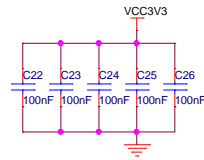
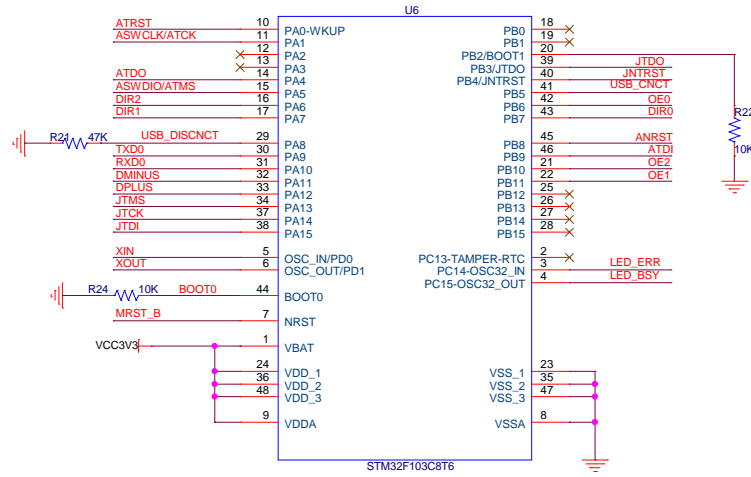
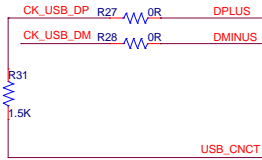
C-SKY HANGZHOU C-SKY MICROSYSTEM CO.,LTD.

Size	Drawing Title EMG0AR1C	Rev
A3	Page Title 03 PowerSupply	C
Date:	Tuesday, May 16, 2017	Sheet 3 of 6



(3) CK_USB_DM >> CK_USB_DM

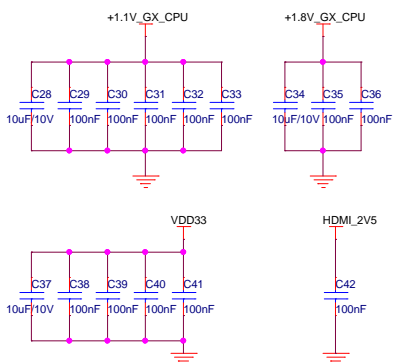
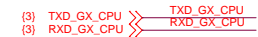
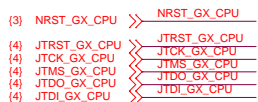
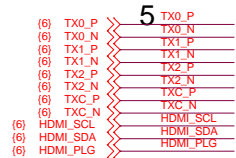
(3) CK_USB_DP >> CK_USB_DP



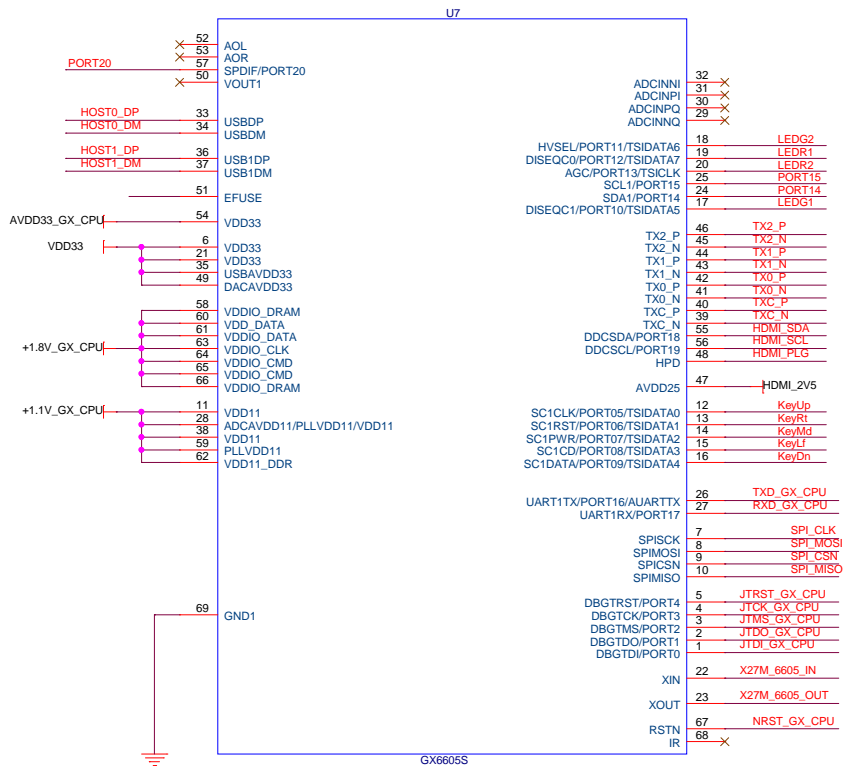
- ATDI R32 33R JTDI_GX_CPU << JTDI_GX_CPU (5)
- ATDO R33 33R JTDO_GX_CPU << JTDO_GX_CPU (5)
- ASWCLK/ATCK R34 33R JTCK_GX_CPU << JTCK_GX_CPU (5)
- ASWDIO/ATMS R38 33R JTMS_GX_CPU << JTMS_GX_CPU (5)
- ANRST R39 33R JTAG_NRST << JTAG_NRST (3)
- ATRST R40 33R JTRST_GX_CPU << JTRST_GX_CPU (5)

C-SKY HANGZHOU C-SKY MICROSYSTEM CO.,LTD.

Size	Drawing Title	Rev
A3	EMG0AR1C	C
	Page Title	
	04 CKLink_Light	
Date:	Sheet	of
Monday, May 15, 2017	4	6

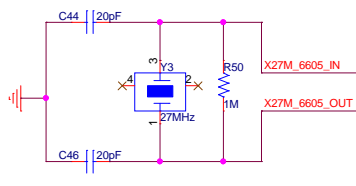
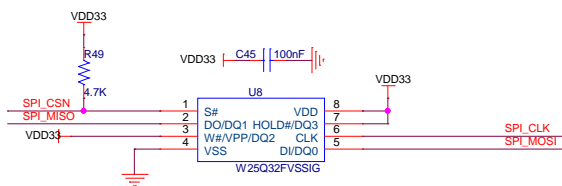


GX6605S



SPI Flash 4MBytes

Clock 27MHz



C-SKY HANGZHOU C-SKY MICROSYSTEM CO.,LTD.		
Size	Drawing Title	Rev
A3	EMG0AR1C	C
	Page Title	
	05 GX6605S	
Date:	Sheet	of
Monday, May 15, 2017	5	6

5

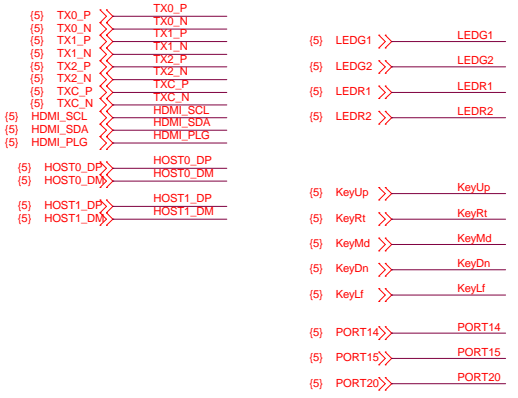
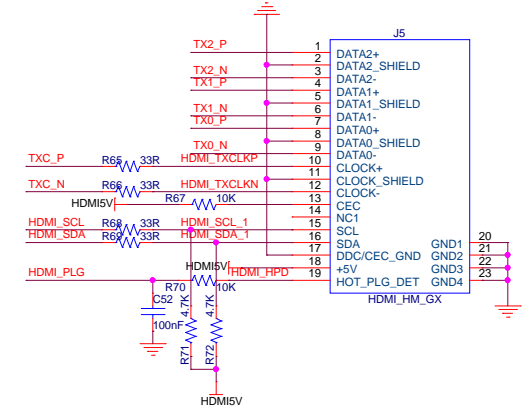
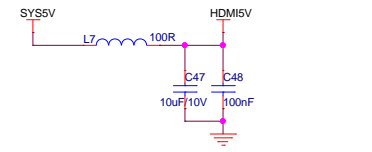
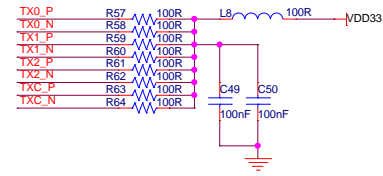
4

3

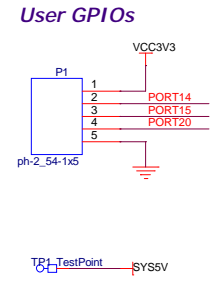
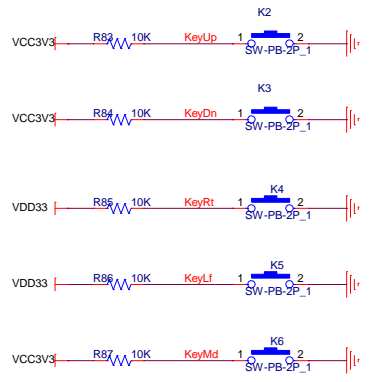
2

1

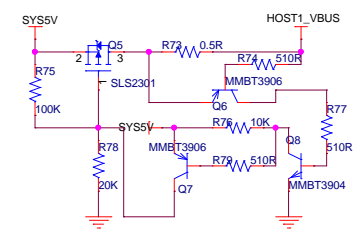
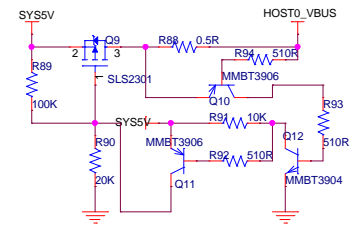
HDMI



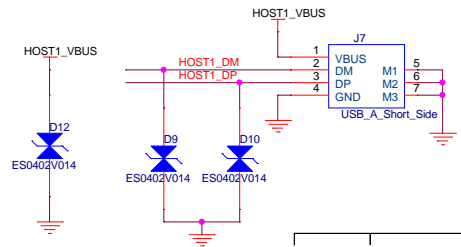
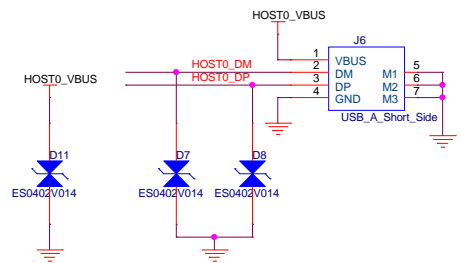
User Keys and LEDs



Hot-Plug Protection



USB HOST



C-SKY HANGZHOU C-SKY MICROSYSTEM CO.,LTD.		
Size	Drawing Title EMG0AR1C	Rev
A3	Page Title 06 HDMI USB KEY	C
Date:	Monday, May 15, 2017	Sheet 6 of 6